

GENERATING A BILL OF MATERIALS

**Alfa**<sup>TM</sup>

MonoLine<sup>TM</sup> System



# How to Layout a MonoLine™ System

Follow the steps outlined in this manual to select the appropriate system components and fixtures for your Alfa MonoLine project.

*Step 1.* Use the Layout Worksheet (page 8) to gather information.

*Step 2.* Create a drawing of your project on graph paper.

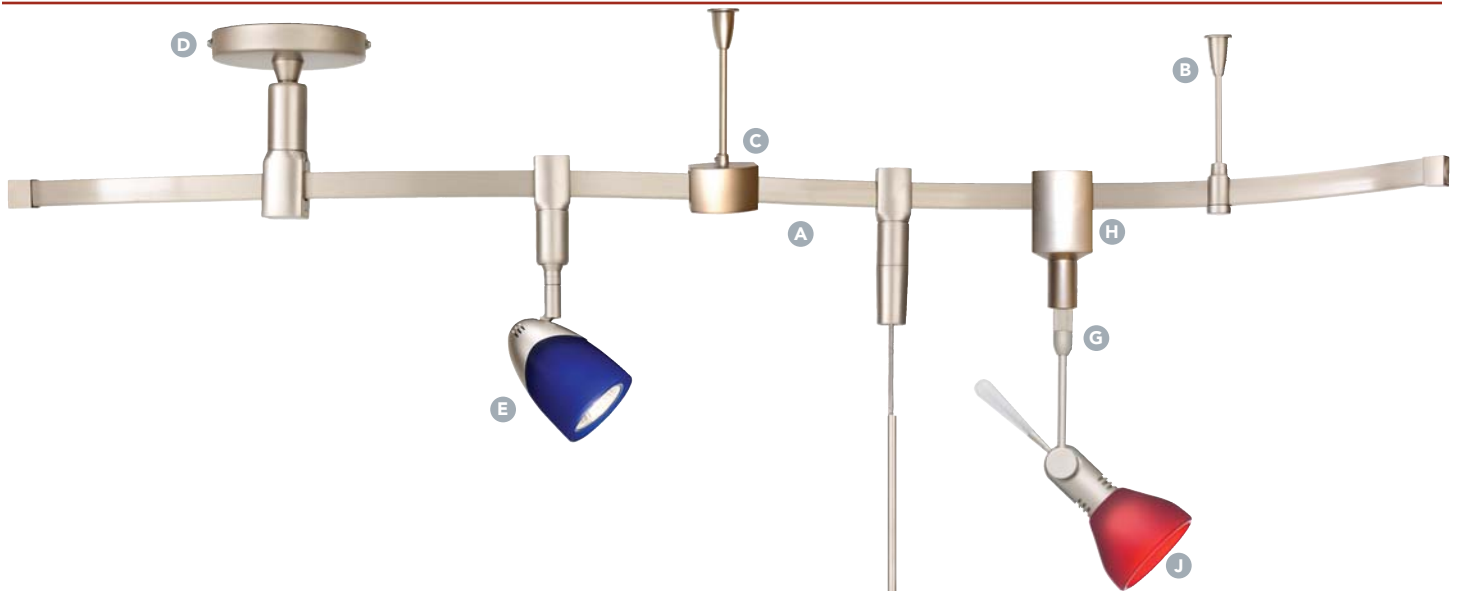
*Step 3.* Review the Sample Layouts (page 3) in this manual to help determine the exact number of components needed for your project.

*Step 4.* Complete the Bill of Materials (pages 4/5) to create a list of all products needed to complete your project.

There are instances when more supports are needed due of the type of curves used or to a high number of fixtures being used.

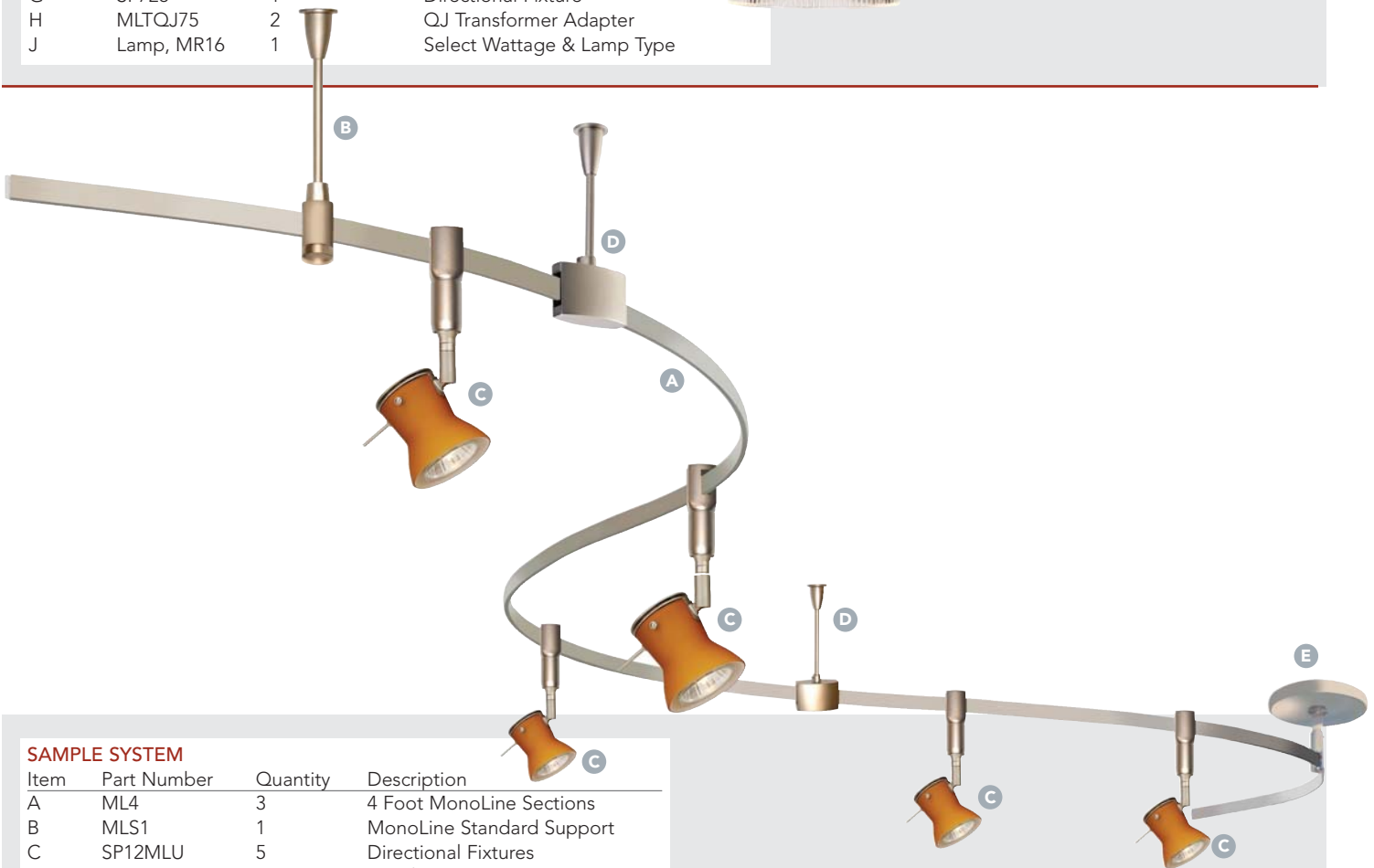
Some fixtures come with lamps, check spec sheets for information.

See spec sheets for more detailed information.



**SAMPLE SYSTEM**

Item	Part Number	Quantity	Description
A	ML4	2	4 Foot MonoLine Sections
B	MLS1	1	MonoLine Standard Support
C	MLS10	1	MonoLine Supported Joiner
D	MLP140	1	MonoLine Power Feed
E	SP11MLU	1	Directional Fixture
F	P203	1	Pendant
G	SP728	1	Directional Fixture
H	MLTQJ75	2	QJ Transformer Adapter
J	Lamp, MR16	1	Select Wattage & Lamp Type



**SAMPLE SYSTEM**

Item	Part Number	Quantity	Description
A	ML4	3	4 Foot MonoLine Sections
B	MLS1	1	MonoLine Standard Support
C	SP12MLU	5	Directional Fixtures
D	MLS10	1	Conductive Connector Support
E	MLP140	1	Stem Power Feed

**MONOLINE LENGTH**      Quantity

Measure length of run, always round up to nearest foot. Field cuttable and hand bendable. Comes single circuit only. Standard end caps included in each end.

- ML4 (48") \_\_\_\_\_
- ML8 (96") \_\_\_\_\_



**SUPPORTS**      Quantity

There are various types of supports:

Standard Support length= 5" to top of track

Cable Support = 12'

- MLS1 Standard \_\_\_\_\_
- MLS2 T-Bar \_\_\_\_\_
- MLS3 Cable Support \_\_\_\_\_
- MLS10 Conductive/Joining \_\_\_\_\_
- MLS11 Non-cond./Joining \_\_\_\_\_
- MLS30 Cond./Cable/Joining \_\_\_\_\_
- MLS31 Non-cond./Cable/Joining \_\_\_\_\_
- MLS50 Slope Ceiling \_\_\_\_\_
- MLS64 Wall End Support \_\_\_\_\_



**SUPPORT EXTENSIONS**      Quantity

Support Extensions come in various lengths of 12", 24", 36" and 48". Sections are field cuttable.

- RSE-12 \_\_\_\_\_
- RSE-24 \_\_\_\_\_
- RSE-36 \_\_\_\_\_
- RSE-48 \_\_\_\_\_



**JOINERS**      Quantity

Conductive and non-conductive joiners. Also see supported joiners under support section.

- MLJ1 Conductive \_\_\_\_\_
- MLJ2 Non-conductive \_\_\_\_\_
- MLJ3 Flexible \_\_\_\_\_
- MLJ4 Hinged "L" Joiner \_\_\_\_\_



To calculate for total number of joiners - number of track sections - 1 = number of joiners

## POWER FEEDS Quantity

Standard drop from ceiling is 5" to top of track. Dual, triple & quad feeds are minimum drop of 12". Power feeds and supports must be specified at same lengths. Power feed tubes are field cuttable for custom lengths.

- MLP104 4 Foot Floating \_\_\_\_\_
- MLP112 12 Foot Floating \_\_\_\_\_
- MLP140 5" Standard \_\_\_\_\_
- MLP142 12" Stem \_\_\_\_\_
- MLP144 24" Stem \_\_\_\_\_
- MLP146 36" Stem \_\_\_\_\_
- MLP148 48" Stem \_\_\_\_\_
- MLP150 Sloped Ceiling \_\_\_\_\_
- MLP242 Dual 12" Stem \_\_\_\_\_
- MLP244 Dual 24" Stem \_\_\_\_\_
- MLP246 Dual 36" Stem \_\_\_\_\_
- MLP248 Dual 48" Stem \_\_\_\_\_
- MLP342 Triple 12" Stem \_\_\_\_\_
- MLP442 Quad 12" Stem \_\_\_\_\_
- MLP164 Wall End \_\_\_\_\_



## POWER FEED EXTENSIONS Quantity

Power feed extensions come in lengths to create feeds 12", 24", 36" & 48" long (from mounting surface to top of track). Field cuttable.

- MLF-EXT12 \_\_\_\_\_
- MLF-EXT24 \_\_\_\_\_
- MLF-EXT36 \_\_\_\_\_
- MLF-EXT48 \_\_\_\_\_



## ADAPTERS Quantity

- MLTQJ75 Quick Jack Adapter \_\_\_\_\_  
(with internal 75W, 12V Transformer)



## FIXTURES Quantity

- |   | Quantity | Model No. |
|---|----------|-----------|
| <input type="checkbox"/> "SP" Directional Fixtures  |          |           |
| <input type="checkbox"/> 12V Quick Jack Directionals _____<br>Quick Jack fixtures require one MLTQJ75 adapter per fixture |          |           |
| <input type="checkbox"/> GU10 MonoLine Directionals _____<br>SP10, SP11, SP12, SP95                                       |          |           |
| <input type="checkbox"/> PAR MonoLine Directionals _____<br>SP852, SP853, SP892, SP893, SP407, SP403                      |          |           |
| <input type="checkbox"/> CMH MonoLine Directionals _____<br>SP241, SP254, SP255, SP244, SP207, SP232, SP233               |          |           |
| <input type="checkbox"/> "P" Pendant Fixtures   |          |           |
| <input type="checkbox"/> 12V Quick Jack Pendants _____<br>Quick Jack fixtures require one MLTQJ75 adapter per fixture     |          |           |
| <input type="checkbox"/> 120V G9 Pendants _____   |          |           |
| <input type="checkbox"/> GU24 CFL Pendants _____<br>(Self ballasted lamp)   |          |           |

Lamp



SP11MLU

50W Lamp Included

50W Lamp Included

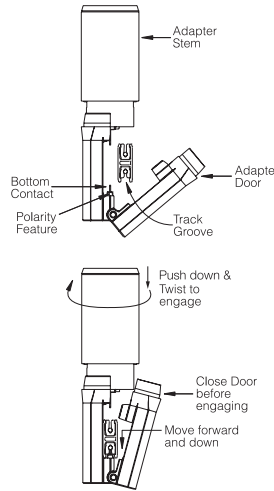
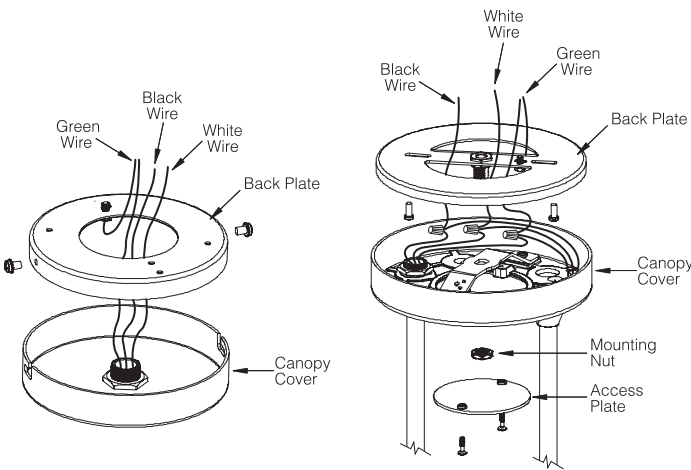
40W Lamp Included

Lamp Included



P202

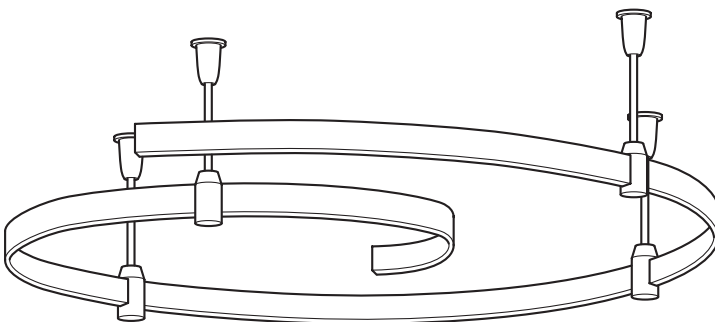
**Installing Power Feed & Support**



First mount the drywall plate directly to the 4" J-box. Next wire nut to the 120V wires coming from the J-box. Make sure the connection is secure. Finally connect the canopy and body of the to the dry wall plate.

Note: Make sure the opening on the power feed is the direction of the MonoLine run.

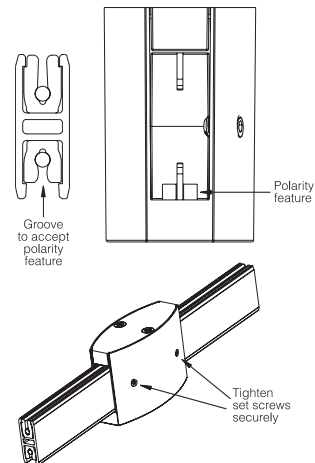
**Bending Your MonoLine Track**



Before bending your MonoLine track, we suggest laying out the system in a computer CAD software or on the floor if you are on site of the installation. Using a string or tape on the floor is useful in determining where the bends should be in the system layout. Pay special attention to fixture placement and make sure that you use enough supports for the amount and weight of the fixtures. If you can layout the system on the floor and transfer the support points to the ceiling with a laser pointer, you can then install each piece of the system as you go. Sometimes it is necessary to assemble the system completely on the floor and lift the system to the ceiling with the supports in place to mark their location on the ceiling.

MonoLine track bends easily by hand, around a 5 gallon bucket or any firm, smooth, curved surface. Try to keep the protective plastic cover on the track to avoid scratching or excessive fingerprints. To create repeatable or perfectly smooth bends, we recommend using the JLG-B100 track bending tool. Recommended minimum bend radius is 18".

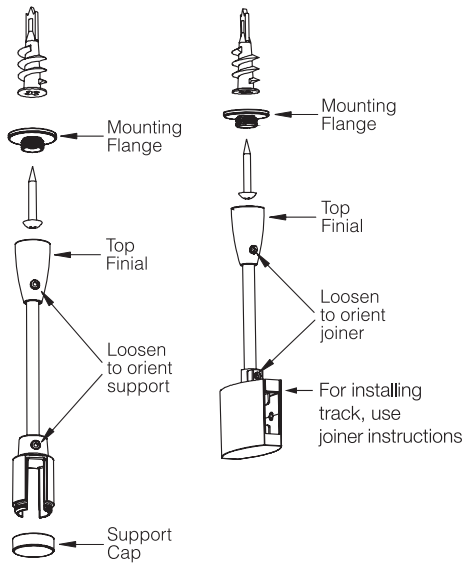
**Joining MonoLine Together**



To join the MonoLine together simply push the joiners into place with your hand. Make sure set screws are backed out far enough to allow the track to be inserted. If the MonoLine track is cut, be sure to de-burr the ends, otherwise the joiners will not fit inside and may cause a short in the system.

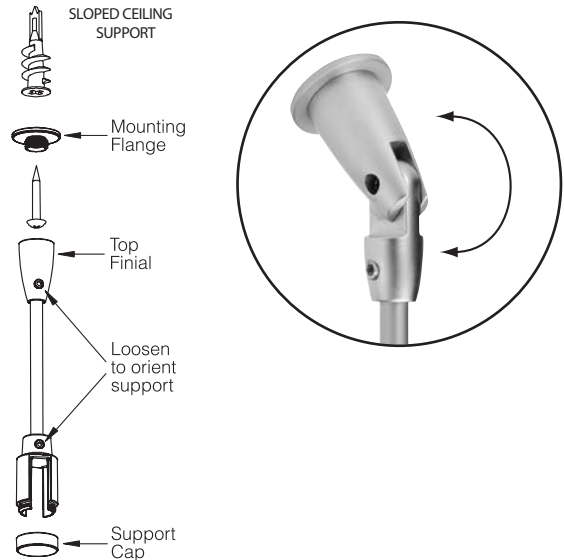
Once the Joiner is in place, simply tighten the screws with the allen wrench.

Supporting MonoLine



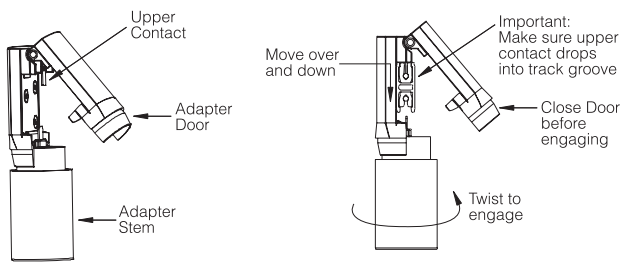
Mark the ceiling where the support should be located, taking into consideration that the support does not line up with the run. Use the allen wrench to loosen the base and turn the support until it lines up with the MonoLine. Retighten the screw and fit the MonoLine into place; this maybe somewhat tight. Once the MonoLine is on, simply screw the cap back on the support. Heavier fixtures (onyx pendants) need additional supports. Support should be installed in close proximity to fixtures.

MLP150 Slope ceiling adapter (use with RSE extension)



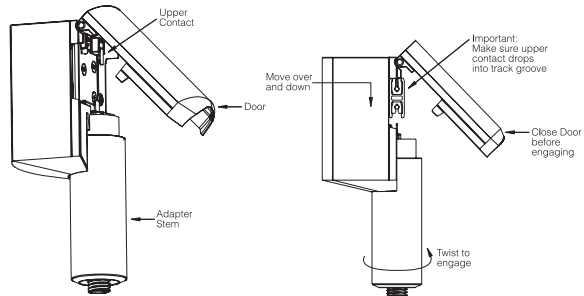
Slope ceiling installations are recommended to be done with a laser level. (Laser level is used to determine the desired track height from floor.) Determine support location. Mark ceiling for installation point. Measure required support length. Cut MLF to correct length. Assemble slope ceiling feed with MLF. Attach base to ceiling mounting point. Attach assembled support to base. Attach track to support. Fine adjustments to slope ceiling support length can be made by loosening allen screw.

Installing MonoLine Fixtures

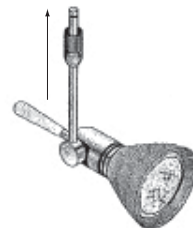


- Make sure main power to system is OFF.
- Loosen adapter stem until adapter door can be opened.
- Note that the track has a wide groove on the bottom. The adapter has a feature which fits into this groove to prevent mounting it upside down.
- Carefully mount adapter by moving it horizontally to track and lowering it vertically until upper contact drops into top groove track. Keep adapter vertical at all times while installing.
- Close adapter door completely. Pull down on fixture if necessary. Hold door closed.
- Push up and twist adapter stem until threads engage.
- Continue twisting adapter stem until fully raised.

Installing Quick Jack Fixtures



- First attach the MLTQJ75 adapter to the MonoLine. Once the adapter is on, attach the Quick Jack fixture or pendant into the adapter socket.



SP728 Quick Jack Fixture

